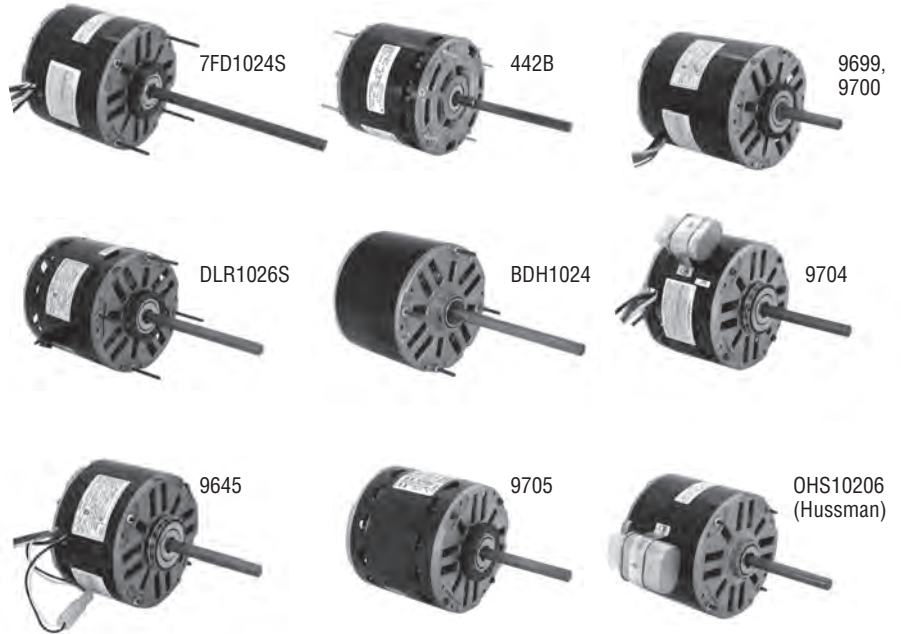


Direct Drive Fan & Blower Motors

Features:

- Auto Protector
- Continuous Duty, Air Over
- Energy Efficient \$
- Electrically Reversible
- Permanent Split Capacitor
- Sleeve & Ball Bearing

OEM replacement for Bard, Chrysler, York, Armstrong, Johnson, Janitrol, Bohn, Lennox, Copeland, Fedders, Heil Quaker, American Standard, Bryant, Westinghouse, Carrier, Peerless and others.

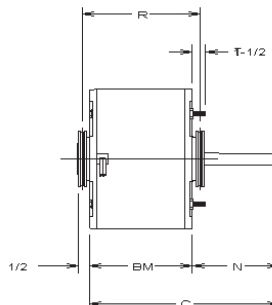


SINGLE AND TWO SPEED – ELECTRICALLY REVERSIBLE

HP	RPM**	Speeds	Volts	Amps	Stock Number	Capacitor	Bearings	Enclosure	Dim. Ref.	Notes
1/8	1550	1	115/208-230	2.7/1.2-1.4	9704	Included	Sleeve	Open	3	6,7,31,44,239,\$
1/8	1550	1	208-230	.96	9705	7.5MFD-370V	Sleeve	Open	4	6,7,31,44,\$
1/6	1075	1	208-230	.91	442B	5MFD-370V	Sleeve	Semi-encl.	1	27,29,\$
1/6	1075	1	208-230	.95	442C	5MFD-370V	Sleeve	Open	1	7,27,29,\$
1/6	1550	1	115/208-230	2.8/1.4-1.4	9699	10MFD-370V	Sleeve	Semi-encl.	5	6,7,31,44,\$
1/6	1625	1	208-230	1.0	9645	5MFD-370V	Sleeve	Semi-encl.	10	7,9,31,\$
1/5	1075	1	208-230	1.3-1.4	OHS10206	Included	Ball	Semi-encl.	11	3,31,229,239,\$
1/4	1075	1	115	3.6	DLR1026S	Included	Sleeve	Open	9	7,31,44,\$
1/4	1075	1	208-230	1.5	443B	5MFD-370V	Sleeve	Open	8	7,9,29,\$
1/4	1550	1	115/208-230	4.9/2.5-2.5	9700	4MFD-370V	Sleeve	Semi-encl.	7	7,31,44,\$
1/4	1625	1	277	1.35	7FD1024S	3MFD-370V	Sleeve	Semi-encl.	2	90,232,\$
1/4~1/6	1625	2	460	0.9-0.7	BDH1024	Included	Ball	Semi-encl.	6	9,25,29,75,\$

Notes:

- Special OEM Replacement Motor (see pages 94-132)
 - 60/50 HZ
 - Resilient mounting rings Included
 - Reversing plug
 - Has hex mounting hub on both ends for cradle base mounting
 - Extended thru bolts, both ends
 - 60°C Ambient
 - 40°C Ambient
 - CCWLE rotation only
 - Mounting rings not included
 - 50°C Ambient
 229. CWLE rotation
 232. Closed main frame, 2-1/2" rings, 14" leads
 239. Capacitor attached
- **Approx 150 RPM between speeds



Continues on next page

Approximate Dimensions

Ref.	BM	R	C	N	T
1	3.50		9.03	5.53	.55
2	4.49	5.05	12.49	8.00	1.50
3	4.11	4.67	8.61	4.50	
4	3.61	4.17	8.11	4.00	
5	3.86	4.42	8.36	4.00	
6	4.86		11.30	6.44	1.63
7	4.49	5.05	8.99	4.50	
8	4.00	4.56	9.52	5.52	.58
9	4.11	4.67	7.11	3.00	.70
10	3.61	4.17	8.11	4.50	
11	4.11		7.11	3.00	.70

Direct Drive Fan & Blower Motors

Features:

- Auto Protector
- Continuous Duty, Air Over
- Electrically Reversible
- Permanent Split Capacitor
- Energy Efficient \$
- Sleeve & Ball Bearing
- 60°C Ambient



BDH1036, BDH1054,
BDH1076

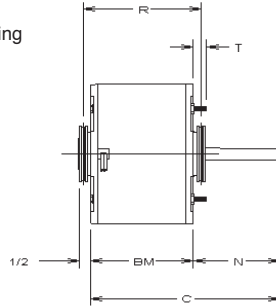
OEM replacement for Bard, Chrysler, York, Armstrong, Johnson, Janitrol, Bohn, Lennox, Copeland, Fedders, Heil Quaker, American Standard, Bryant, Westinghouse, Carrier, Peerless and others.

SINGLE AND TWO SPEED – ELECTRICALLY REVERSIBLE

HP	RPM**	Speeds	Volts	Amps	Stock Number	Capacitor	Bearings	Enclosure	Dim. Ref.	Notes
1/3~1/4	1075	2	460	1.2-.86	BDH1036	Included	Ball	Semi-encl.	3	9,25,75,149,\$
1/2~1/3	1625	2	460	1.4-1.3	BDH1054	Included	Ball	Semi-encl.	1	6,9,25,75,\$
3/4~1/2	1075	2	460	2.2-1.1	BDH1076	Included	Ball	Semi-encl.	2	9,25,75,149,\$

Notes:

- 6. 60/50 HZ
- 9. Reversing plug
- 25. Has hex mounting hub on both ends for cradle base mounting
- 75. Mounting rings not included
- 149. Reconnect for separate speeds
- **Approx 150 RPM between speeds



Approximate Dimensions

Ref.	BM	R	C	N	T
1	5.36		11.80	6.44	1.63
2	5.74		12.18	6.44	1.63
3	5.11		11.11	6.44	1.63

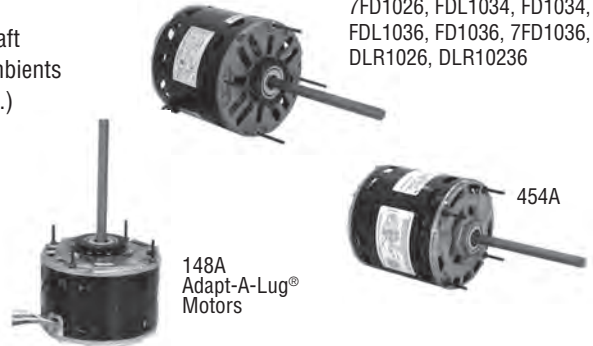
5-5/8" Diameter (High Efficiency) Indoor Blower Motors

Direct Drive Fan & Blower Motors

Features:

- Auto Protector
- Continuous Air Over
- 23" Leads (Minimum)
- 60 HZ
- Resilient Mounting Ring Included
- Open Construction
- Permanent Split Capacitor
- High Efficient \$
- Multiple Mount
- 1/2" Dia.- Flatted Shaft
- 40°, 50° and 60°C Ambients
- 48 Frame (5-5/8" Dia.)
- Reversible

FDL1016, 7FD1016, FDL1024, FD1024, FDL1026, FD1026, 7FD1026, FDL1034, FD1034, FDL1036, FD1036, 7FD1036, DLR1026, DLR10236



THREE SPEED – ELECTRICALLY REVERSIBLE (CAPACITOR NOT INCLUDED)

HP	RPM	Speeds	Volts	Amps		Stock Number	Capacitor	Bearings	Dim. Ref.	Notes
				Rated	Max.					
1/6	1075	3	115	2.5	3.0	FDL1016	7.5MFD-370V	Sleeve	7	9,90,\$
1/6	1075	3	277	0.8	0.9	7FD1016	5MFD-370V	Sleeve	6	9,90,\$
1/4	1075	3	115	3.2	4.1	FDL1026	7.5MFD-370V	Sleeve	2	9,90,\$
1/4	1075	3	115	3.5		DLR1026	Included	Sleeve	9	31,\$
1/4	1075	3	208-230	1.5	1.9	FD1026	5MFD-370V	Sleeve	2	9,90,\$
1/4	1075	3	277	1.3	1.6	7FD1026	5MFD-370V	Sleeve	7	9,90,\$
1/4	1625	3	115	3.0	5.0	FDL1024	10MFD-370V	Sleeve	1	9,31,\$
1/4	1625	3	208-230	1.8	3.2	FD1024	5MFD-370V	Sleeve	1	9,31,\$
1/3	1075	3	115	4.2	6.0	FDL1036	7.5MFD-370V	Sleeve	3	9,90,\$
1/3	1075	3	115	4.9		DLR10236	Included	Sleeve	5	9,31,\$
1/3	1075	3	115	5.3		148A	5MFD-370V	Ball	4	9,29,\$
1/3	1075	3	208-230	2.1	3.0	FD1036	5MFD-370V	Sleeve	3	9,90,\$
1/3	1075	3	277	1.9	2.1	7FD1036	7.5MFD-370V	Sleeve	8	9,90,\$
1/3	1625	3	115	4.0	6.2	FDL1034	15MFD-370V	Sleeve	3	9,31,\$
1/3	1625	3	208-230	2.0	3.4	FD1034	5MFD-370V	Sleeve	3	9,90,\$
1/3	1625	3	208-230	2.1		454A	5MFD-370V	Ball	6	9,29,72,\$

Notes:

- 9. Reversing plug
- 29. 60°C Ambient
- 31. 40°C Ambient
- 72. No brake kit available
- 90. 50°C Ambient

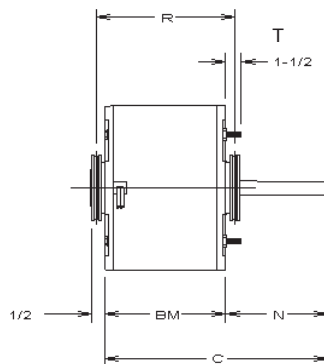
Continues on next page

Approximate Dimensions

Ref.	BM	R	C	N	T
1	4.36	4.92	10.80	6.44	1.62
2	4.11	4.67	10.55	6.44	1.62
3	4.61	5.17	11.05	6.44	1.62
4	4.25	4.72	9.77	5.52	1.38
5	4.50	4.97	10.02	5.52	0.61
6	3.74	4.31	10.18	5.94	1.63
7	3.86	4.42	10.30	6.44	1.62
8	4.49	5.05	10.93	6.44	1.62
9	4.11	4.67	9.61	5.50	1.00



Adapter Kit
619432-174
for Fleximount

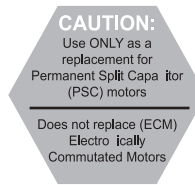


Comfort Select™~FB

High Efficient Furnace Blower Motors Utilizing ECM Technology

Features:

- Peak efficiency of 82%
- Automatic detection of correct rotation for both backward and forward curved blowers
- Learn mode that provides improved efficiency and greater flexibility for matching PSC motor performance in a furnace/air-handler unit



CSL1056,
CSL1106,
CS1056,
CS1106

HP	RPM	Speeds	Volts	Amps	Stock Number	Frame Size	Insulation	Shaft Dia. & Length	Motor Length	Notes
1/2	1100-600	5	115	6.3	CSL1056	48	F	1/2 x 4"	5.72"	\$, New!
1	1100-600	5	115	11.6	CSL1106	48	F	1/2 x 4"	7.21"	\$, New!
1/2	1100-600	5	208-277	3.6-3.0	CS1056	48	F	1/2 x 4"	5.72"	\$, New!
1	1100-600	5	208-277	6.9-5.7	CS1106	48	F	1/2 x 4"	7.21"	\$, New!

Fan Coils - Dual Wheel Blower

Features:

- Auto Protector
- Continuous Air Over
- High Efficient \$
- Open Construction
- Multiple Mount
- Resilient Mounting Rings Included
- Reversible
- Permanent Split Capacitor
- 1/2" Dia. - Flatted Shaft
- 23" Leads (Minimum)
- 40°, 50° and 60°C Ambient
- 48 Frame (5-5/8" Dia.)
- 60 HZ



FDL1054, FD1054,
FDL1056, FD1056,
7FD1056

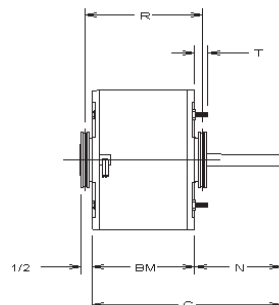
OEM replacement for Bard, Chrysler, York, Armstrong, Johnson, Janitrol, Bohn, Lennox, Copeland, Fedders, Heil Quaker, American Standard, Bryant, Westinghouse, Carrier, Peerless and others.

THREE SPEED – ELECTRICALLY REVERSIBLE (CAPACITOR NOT INCLUDED)

HP	RPM**	Speeds	Volts	Amps	Stock Number	Capacitor	Bearings	Dim. Ref.	Notes
1/2	1075	3	115	5.6	FDL1056	10MFD-370V	Sleeve	2	9,90,\$
1/2	1075	3	208-230	2.7	FD1056	7.5MFD-370V	Sleeve	2	9,90,\$
1/2	1075	3	208-230	3.0	149A	7.5MFD-370V	Ball	1	9,29,\$
1/2	1075	3	277	2.2	7FD1056	10MFD-370V	Sleeve	3	9,90,\$
1/2	1625	3	115	7.6	FDL1054	15MFD-370V	Sleeve	2	9,31,\$
1/2	1625	3	208-230	2.8	FD1054	7.5MFD-370V	Sleeve	2	9,31,\$

Notes:

- 9. Reversing plug
- 29. 60° C Ambient
- 31. 40° C Ambient
- 90. 50° C Ambient
- **Approx 150 rpm between speeds



Continues on next page

Approximate Dimensions

Ref.	BM	R	C	N	T
1	5.00	5.47	9.98	4.98	0.61
2	5.11	5.67	11.55	6.44	1.62
3	5.36	5.92	11.80	6.44	1.62

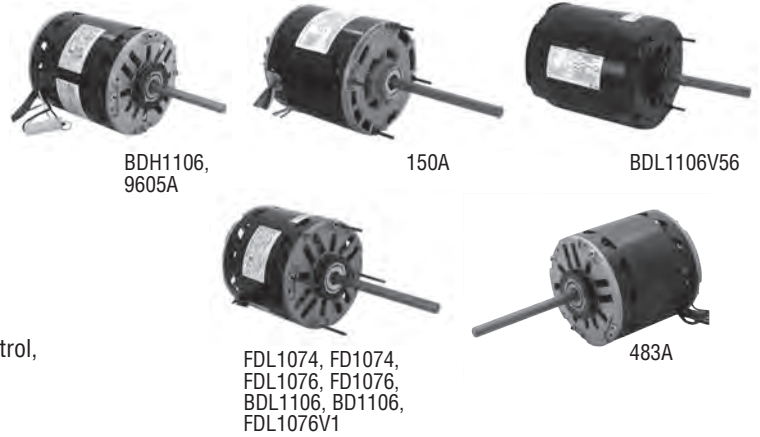
5-5/8" Diameter Stock Motors (High Efficiency)

Direct Drive Fan & Blower Motors

Features:

- Auto Protector
- Continuous Air Over
- High Efficient \$
- Open Construction
- Multiple Mount
- Reversible
- Permanent Split Capacitor
- 1/2" Dia. - Flatted Shaft
- 22" Leads (Minimum)
- 48 Frame (5-5/8" Dia.)
- 60 HZ
- 40°, 50°, 60° C Ambients

OEM replacement for Bard, Chrysler, York, Armstrong, Johnson, Janitrol, Bohn, Lennox, Copeland, Fedders, Heil Quaker, American Standard, Bryant, Westinghouse, Carrier, Peerless and others.

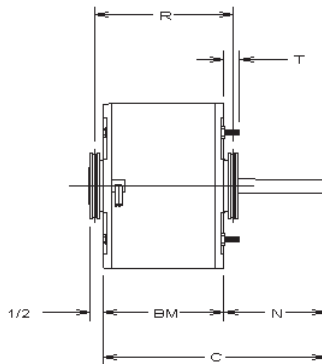


THREE SPEED – ELECTRICALLY REVERSIBLE (CAPACITOR NOT INCLUDED)

HP	RPM**	Speeds	Volts	Amps	Stock Number	Capacitor	Bearings	Dim. Ref.	Notes
3/4	1075	3	115	9.8	FDL1076	15MFD-370V	Sleeve	3	7,9,90,\$
3/4	1075	5	115	8.0	FDL1076V1	40MFD-370V	Sleeve	3	7,9,31,\$
3/4	1075	3	208-230	4.9	FD1076	10MFD-370V	Sleeve	4	7,9,90,\$
3/4	1075	3	208-230	4.7	150A	10MFD-370V	Ball	2	9,31,75,\$
3/4	1075	3	277	3.9	9605A	20MFD-370V	Sleeve	1	7,9,165,\$
3/4	1625	3	115	8.5	FDL1074	15MFD-370V	Sleeve	3	7,9,31,\$
3/4	1625	3	208-230	4.0	FD1074	7.5MFD-370V	Sleeve	3	7,9,31,\$
3/4	1625	3	208-230	4.9	483A	7.5MFD-370V	Ball	7	7,9,31,165,\$
1	1075	3	115	12.3	BDL1106	20MFD-370V	Ball	5	7,9,31,310,\$
1	1075	3	208-230	5.1	BD1106	20MFD-370V	Ball	3	7,9,31,310,\$
1	1100	3	460	3.2	BDH1106	15MFD-370V	Ball	6	7,9,31,149,165,\$

Notes:

- 7. Resilient Mounting Rings Included
- 9. Reversing plug
- 31. 40° C Ambient
- 75. Mounting rings not included
- 90. 50° C Ambient
- 149. Reconnect for separate speeds
- 165. No extended thru bolts
- 310. 1/2" Double flat shaft, 2-1/2" rings
- **Approx 150 rpm between speeds



Approximate Dimensions

Ref.	BM	R	C	N	T
1	5.50	6.00	11.00	5.50	—
2	5.50	6.00	11.50	6.00	0.98
3	5.61	6.17	12.05	6.44	1.62
4	5.36	5.92	11.80	6.44	1.63
5	6.00	6.50	11.92	5.92	0.61
6	5.86	6.42	12.30	6.44	1.55
7	5.36	5.92	11.36	6.00	—
8	5.25	5.75	11.25	6.00	—
9	5.50	6.00	11.48	5.98	0.61
10	8.84	9.34	15.84	6.00	0.88